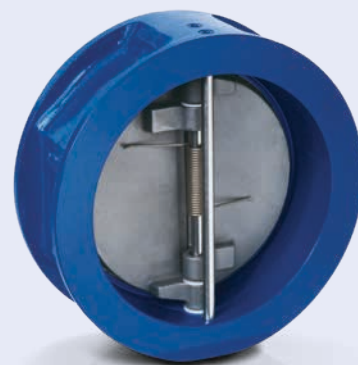


## SERIE 2000 – Light Dual-disc Swing Check Valve



### Applications:

- Industry, water management
- Chemical industry
- Water supply and treatment, irrigation
- Shipbuilding, especially for water, air, gas and hydrocarbons

More information: [www.ksb.com/products](http://www.ksb.com/products)

# SERIE 2000 – Light Dual-disc Swing Check Valve

## 1 Reliable

- Single-piece cast body, high degree of mechanical strength and corrosion resistance. Maintenance-free
- Unique spring design prevents friction causing damage to the seat/disc interface and ensures reliable seating.

## Easy to install

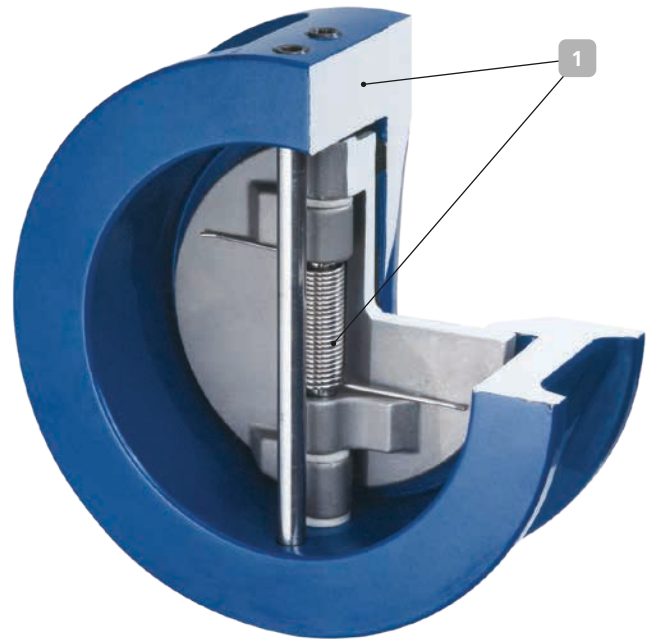
- Minimum weight at maximum strength; compact design
- Straightforward installation without any special tools
- No additional support of piping required

## Hydraulically optimised and stable

- Low pressure loss makes for increase in energy efficiency.
- Stable opening behaviour at minimum flow rate.
- Trouble-free, energy-efficient operation thanks to steady valve disc movement.

## FluidFuture®

- Achieving maximum energy savings with the energy efficiency concept by KSB.
- The optimised flow geometry substantially reduces pressure losses, hence reducing energy consumption by up to 50%.



### Technical Data

Nominal diameters	50 to 600 mm (2" to 24")
Operating pressure	From vacuum to 50 bar (750 psi)
Temperature range	From -196 °C to 538 °C (from -420 °F to 1000 °F)
Connection	PN 10, 16, 20, 25, 40 Class 125, 150, 300, BS / JIS / DIN
Leakage rate	Metal/elastomer seated to EN 12266-1 leakage rate A and ISO 5208 category A Metal/metal seated to API 598
Face-to-face length	API 594 except swing check valves with cast iron body DN 65 to 300 mm (2 1/2" to 12")

### Materials

Manufacturing range		PN 16	Class 150 (PN 20)	Class 300 (PN 50)
	<b>Body</b>	cast iron	carbon steel and stainless steel	
DN 350 mm to DN 600 mm	<b>Plate</b>	stainless steel, nodular cast iron, aluminium bronze (from DN 300)	stainless steel and steel (from DN 300)	stainless steel
	<b>Stem and spring</b>	stainless steel	stainless steel	
	<b>Seat</b>	nitrile, EPDM, Viton	nitrile, EPDM, Viton, metal/metal	
DN 250 mm to DN 300 mm	<b>Plate</b>	stainless steel, nodular cast iron	stainless steel	
	<b>Stem and spring</b>	stainless steel	stainless steel	
	<b>Seat</b>	nitrile, EPDM, Viton	nitrile, EPDM, Viton, metal/metal	
DN 50 mm to DN 200 mm	<b>Plate</b>	stainless steel	stainless steel	
	<b>Stem and spring</b>	stainless steel	stainless steel	
	<b>Seat</b>	nitrile, EPDM, Viton	nitrile, EPDM, Viton, metal/metal	

Other pressure classes and materials on request.



KSB SE & Co. KGaA  
 Johann-Klein-Straße 9  
 67227 Frankenthal (Germany)  
 www.ksb.com