

BOA-Compact – Maintenance-free Soft-seated Globe Valve



Applications:

- Hot-water heating systems
 - Air-conditioning systems
- The limits given in the technical codes must be complied with.
Please contact us for details.

More information:

www.ksb.com/products



BOA-CVE Compact
Control valve with
electric actuator



BOA-SuperCompact
Soft-seated globe valve with
face-to-face length to EN 558/9



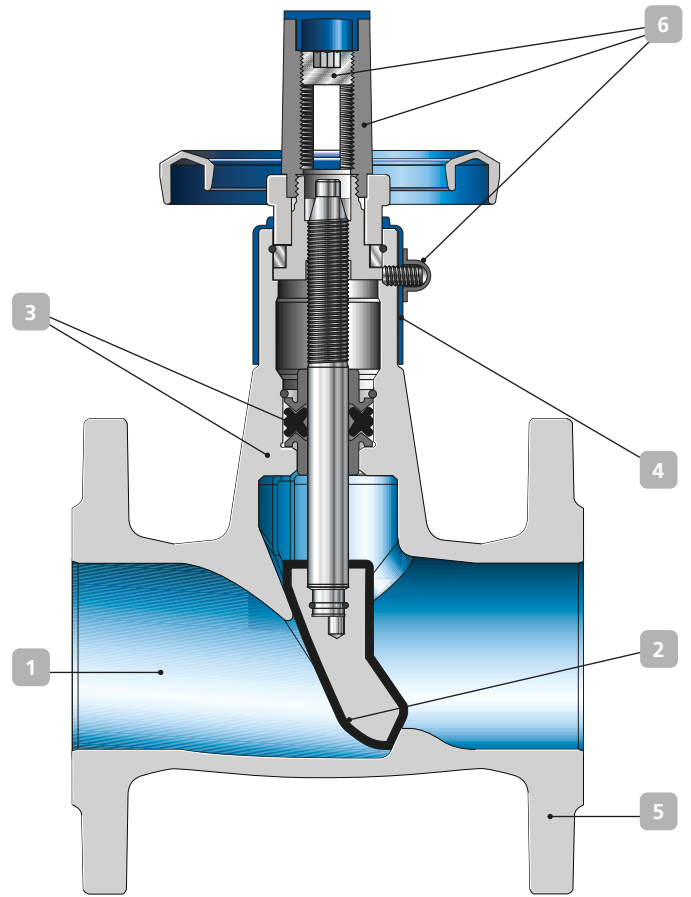
BOA-W
Soft-seated maintenance-free
globe valve



BOA-Compact EKB
Drinking water approved model with
electrostatic plastic coating (EKB)

BOA-Compact – Maintenance-free Soft-seated Globe Valve

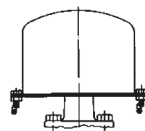
- 1 Low pressure losses**
Hydraulically favourable flow passage
 - 2 One model for shut-off and throttling**
Fully EPDM-coated throttling plug with linear characteristic curve
 - 3 Zero leakage and zero maintenance for life**
Lubricated-for-life EPDM profile ring and single-piece body
 - 4 Optimum insulation possible**
Simple body design and anti-condensation feature (insulating cap)
 - 5 Space-saving, low-weight design**
Face-to-face length to EN 558/14
 - 6 Fully equipped at no extra charge**
Internal travel stop, position indicator and locking device included
- Available in 3 face-to-face lengths**
BOA-CS, BOA-C, BOA-W
 - BIM – Straightforward digital planning**
 - Digital product data sets optimised for planning, available for the entire valve programme (PN 6 to PN 40) for building services and supply systems
 - VDI 3805 standard (sheets 2 and 17)
 - Revit (family files and plug-in)
 - Direct availability in planning programs such as liNear, Trimble Nova, mh-software, and many more
 - CAD/BIM database: KSB PARTcommunity



Technical data

Material	EN-GJL-250
Nominal diameters	DN 15 to DN 200
Nominal pressure	PN 6 or 16
Permissible operating temperature	-10 to +120 °C
Permissible operating pressure	16 bar

Variants



Lead-sealable cap
(assembly set)



KSB SE & Co. KGaA
Johann-Klein-Straße 9
67227 Frankenthal (Germany)
www.ksb.com